

## Electrical Specifications

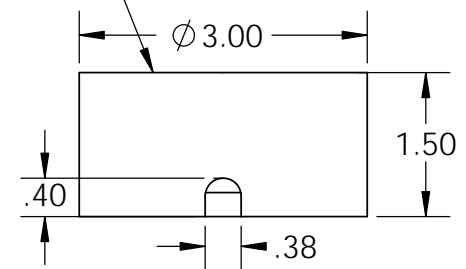
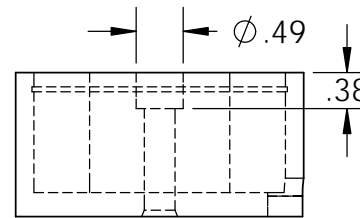
**Voltage:** 24 VDC  
**Duty Cycle:** Continuous  
**Resistance:** 40 ohms  $\pm$  10% (@ 20c)  
**Amps @ rated Volts:** 0.63  
**Watts @ rated Volts:** 15.0  
**Holding:** 300 lbs (1/4" Thick 1215 CRS @ 20c)  
**Operating Temp:** -40c to 60c (range)

## Additional Components

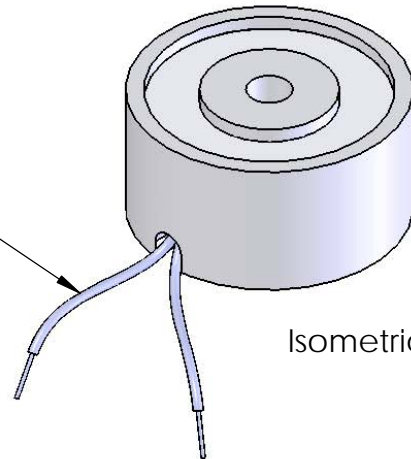
**Screw:** 5/16-18 x 1 1/2" Long (Socket Head Cap Screw) w/Nylok  
**Spring:** N/A  
**Spiral Pin:** N/A  
**Potting:** N/A

**Finish:** Housing - Zinc or Electroless Nickel Plating  
 (0.0002-0.0003")

Center Post Recessed  
 (.003-.005)  
 Quick Release

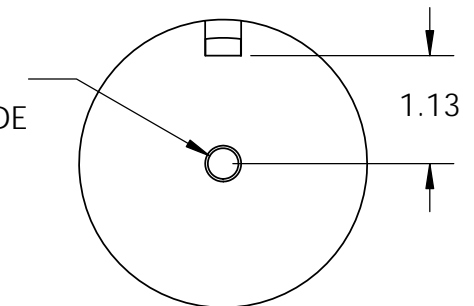


8" from coil to rectifier 11" after  
 18 Ga. Type 1015 UL



Isometric View

$\phi$  .32 THRU ALL  
 3/8-16 UNC - 2B  $\nabla$  1.13  
 $\checkmark$   $\phi$  .38 X 45°, NEAR SIDE



**PROPRIETARY AND CONFIDENTIAL**  
 THE INFORMATION CONTAINED IN THIS DRAWING IS THE SOLE PROPERTY OF APW COMPANY. ANY REPRODUCTION IN PART OR AS A WHOLE WITHOUT THE WRITTEN PERMISSION OF APW COMPANY IS PROHIBITED.

		UNLESS OTHERWISE SPECIFIED:		NAME	DATE	<b>APW COMPANY</b>	
		DIMENSIONS ARE IN INCHES TOLERANCES: FRACTIONAL $\pm$ .015 ANGULAR: MACH $\pm$ 2 BEND $\pm$ 2 TWO PLACE DECIMAL $\pm$ .005 THREE PLACE DECIMAL $\pm$ .003		DRAWN	K.H.		
		INTERPRET GEOMETRIC TOLERANCING PER: ANSI		CHECKED	J.K.	07.15.11	TITLE:
		MATERIAL		ENG APPR.	J.K.	07.15.11	P/N: EM300-24AC-122
		FINISH		MFG APPR.	J.K.	07.15.11	
NEXT ASSY	USED ON			Q.A.			SIZE
APPLICATION		DO NOT SCALE DRAWING		COMMENTS:			DWG. NO.
							<b>A</b>
							<b>6292</b>
							REV
							SCALE: 1:2
							WEIGHT:
							SHEET 1 OF 1