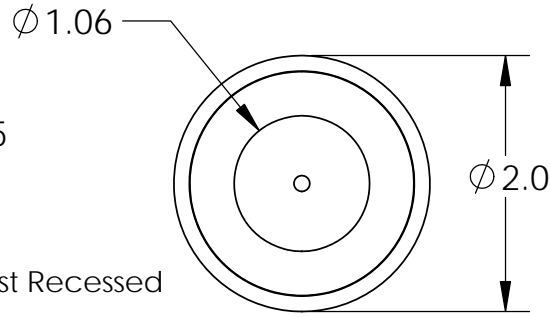
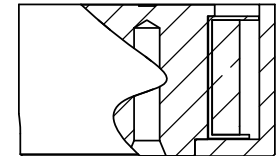
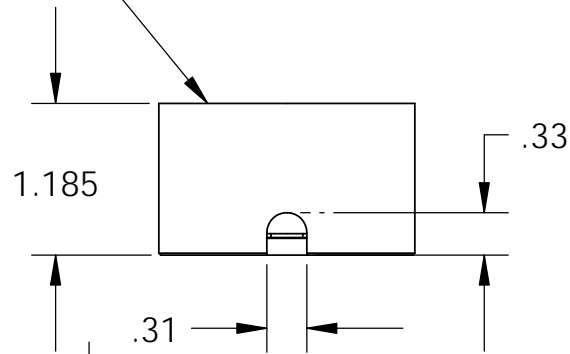


Isometric View

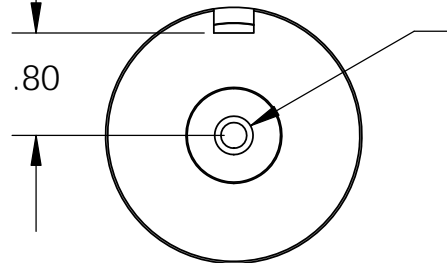
18" Long Leads  
18 Ga. Type UL 1015



Center Post Recessed  
(.003-.005)  
Quick Release



$\phi .20 \nabla 1.00$   
1/4-20 UNC  $\nabla .75$   
 $\phi .30 \times 45^\circ$ , NEAR SIDE



**Electrical Specifications**

**Voltage:** 6 VDC  
**Duty Cycle:** Continuous  
**Resistance:** 5.13 ohms  $\pm 10\%$  (@ 20c)  
**Amps @ rated Volts:** 1.17  
**Watts @ rated Volts:** 7.0  
**Holding:** 105 lbs (1/4" Thick 1215 CRS @ 20c)  
**Operating Temp:** -40c to 60c (range)

**Additional Components**

**Screw:** N/A  
**Spring:** N/A  
**Spiral Pin:** N/A  
**Potting:** N/A  
**Rectifier:** N/A

**Finish:** Housing - Zinc or Electroless Nickel Plating  
(0.0002-0.0003")

**PROPRIETARY AND CONFIDENTIAL**  
THE INFORMATION CONTAINED IN THIS DRAWING IS THE SOLE PROPERTY OF APW COMPANY. ANY REPRODUCTION IN PART OR AS A WHOLE WITHOUT THE WRITTEN PERMISSION OF APW COMPANY IS PROHIBITED.

		UNLESS OTHERWISE SPECIFIED:		NAME	DATE
		DIMENSIONS ARE IN INCHES	DRAWN	K.H.	07.21.11
		TOLERANCES:	CHECKED	J.K.	07.21.11
		FRACTIONAL $\pm .015$	ENG APPR.	J.K.	07.21.11
		ANGULAR: MACH $\pm 2$ BEND $\pm 2$	MFG APPR.	J.K.	07.21.11
		TWO PLACE DECIMAL $\pm .005$	Q.A.		
		THREE PLACE DECIMAL $\pm .003$	COMMENTS:		
		INTERPRET GEOMETRIC TOLERANCING PER: ANSI			
		MATERIAL			
NEXT ASSY	USED ON	FINISH			
APPLICATION		DO NOT SCALE DRAWING			

<b>APW COMPANY</b>		
TITLE:		
P/N: EM200-6-122-A		
SIZE	DWG. NO.	REV
<b>A</b>	<b>6177</b>	
SCALE: 2:3	WEIGHT:	SHEET 1 OF 1