

## Electrical Specifications

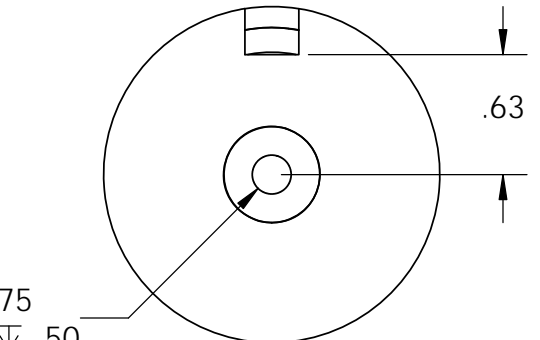
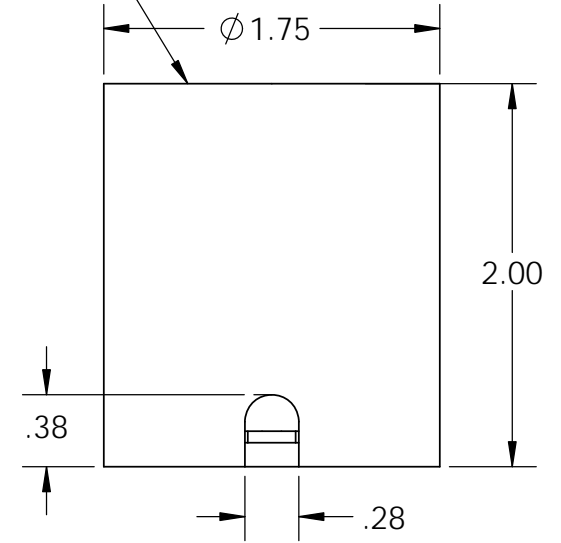
**Voltage:** 115 VAC  
**Duty Cycle:** Continuous  
**Resistance:** 990 ohms  $\pm$  10% (@ 20c)  
**Amps @ rated Volts:** 0.07  
**Watts @ rated Volts:** 8.0  
**Holding:** 83 lbs (1/4" Thick 1215 CRS @ 20c)  
**Operating Temp:** -40c to 60c (range)

## Additional Components

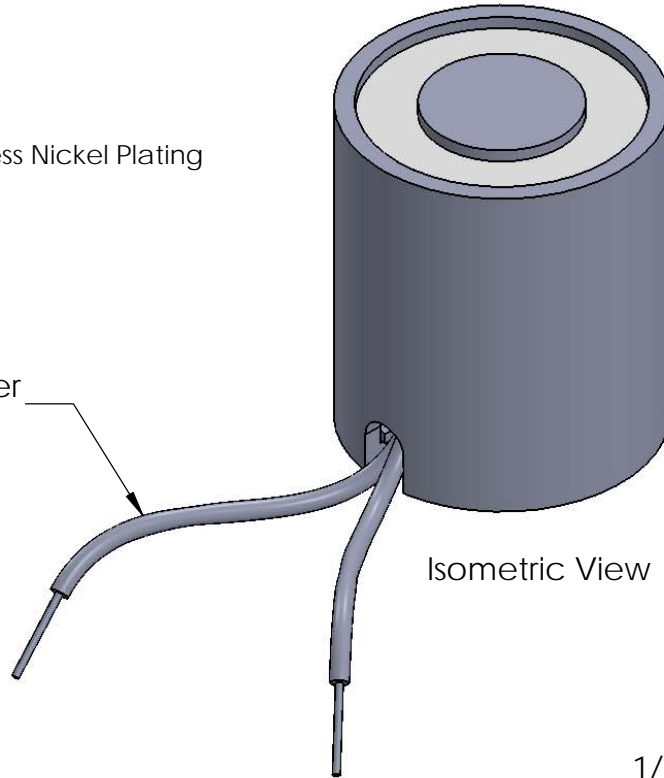
**Screw:** N/A  
**Spring:** N/A  
**Spiral Pin:** N/A  
**Potting:** N/A

**Finish:** Housing - Zinc or Electroless Nickel Plating  
 (0.0002-0.0003")

Center Post Recessed  
 (.003-.005)  
 Quick Release



8" from coil to rectifier 11" after 22 Ga. Type 1015 UL



Isometric View

$\phi$  .20  $\nabla$  .75  
 1/4-20 UNC  $\nabla$  .50

**PROPRIETARY AND CONFIDENTIAL**  
 THE INFORMATION CONTAINED IN THIS DRAWING IS THE SOLE PROPERTY OF APW COMPANY. ANY REPRODUCTION IN PART OR AS A WHOLE WITHOUT THE WRITTEN PERMISSION OF APW COMPANY IS PROHIBITED.

		UNLESS OTHERWISE SPECIFIED:	NAME	DATE
		DIMENSIONS ARE IN INCHES	DRAWN	K.H. 08.01.11
		TOLERANCES:	CHECKED	J.K. 08.01.11
		FRACTIONAL $\pm$ .015	ENG APPR.	J.K. 08.01.11
		ANGULAR: MACH $\pm$ 2 BEND $\pm$ 2	MFG APPR.	J.K. 08.01.11
		TWO PLACE DECIMAL $\pm$ .005	Q.A.	
		THREE PLACE DECIMAL $\pm$ .003	COMMENTS:	
		INTERPRET GEOMETRIC TOLERANCING PER: ANSI		
		MATERIAL		
NEXT ASSY	USED ON	FINISH		
APPLICATION		DO NOT SCALE DRAWING		

<b>APW COMPANY</b>		
TITLE:		
EM175L-115ac-122		
SIZE	DWG. NO.	REV
<b>A</b>	5822	
SCALE: 1:2	WEIGHT:	SHEET 1 OF 1