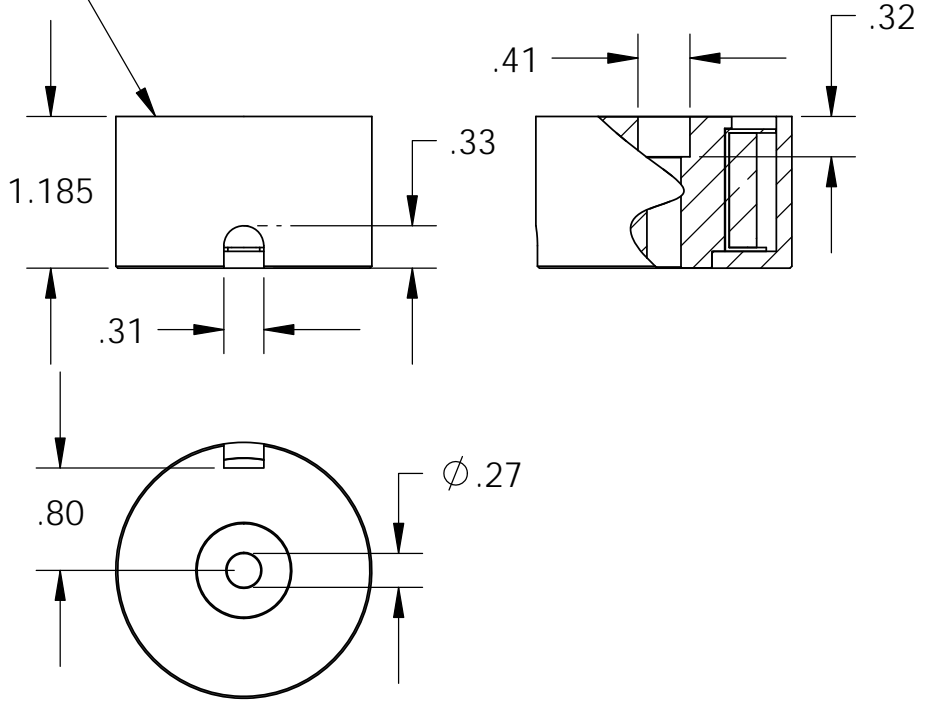
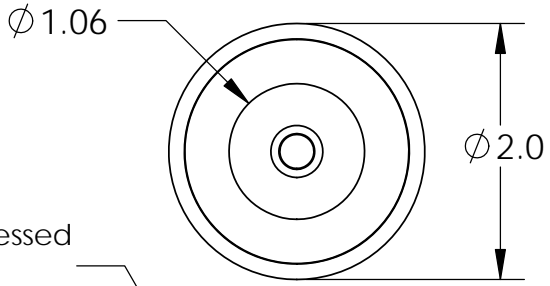


Isometric View

18" Long Leads
18 Ga. Type UL 1015

Center Post Recessed
(.003-.005)
Quick Release



Electrical Specifications

- Voltage:** 110 VDC
- Duty Cycle:** Continuous
- Resistance:** 2050 ohms ± 10% (@ 20c)
- Amps @ rated Volts:** 0.06
- Watts @ rated Volts:** 7.0
- Holding:** 105 lbs (1/4" Thick 1215 CRS @ 20c)
- Operating Temp:** -40c to 60c (range)

Additional Components

- Screw:** 1/4"-20 x 1.25" long (Hex Socket Head Cap) w/Nylok
- Spring:** N/A
- Spiral Pin:** N/A
- Potting:** United Resin Corp. (El-cast Black)
- Finish:** Housing - Zinc or Electroless Nickel Plating (0.0002-0.0003")

PROPRIETARY AND CONFIDENTIAL
THE INFORMATION CONTAINED IN THIS DRAWING IS THE SOLE PROPERTY OF APW COMPANY. ANY REPRODUCTION IN PART OR AS A WHOLE WITHOUT THE WRITTEN PERMISSION OF APW COMPANY IS PROHIBITED.

		UNLESS OTHERWISE SPECIFIED:	NAME	DATE	
		DIMENSIONS ARE IN INCHES TOLERANCES: FRACTIONAL ± .015 ANGULAR: MACH ± 2 BEND ± 2 TWO PLACE DECIMAL ± .005 THREE PLACE DECIMAL ± .003	DRAWN	K.H. 07.14.11	
			CHECKED	J.K. 07.14.11	
			ENG APPR.	J.K. 07.14.11	
			MFG APPR.	J.K. 07.14.11	
			Q.A.		
		INTERPRET GEOMETRIC TOLERANCING PER: ANSI	COMMENTS:		
		MATERIAL			
		FINISH			
NEXT ASSY	USED ON				
APPLICATION		DO NOT SCALE DRAWING			

APW COMPANY		
TITLE: P/N: EM200-110-112		
SIZE A	DWG. NO. 5541	REV
SCALE: 2:3	WEIGHT:	SHEET 1 OF 1