

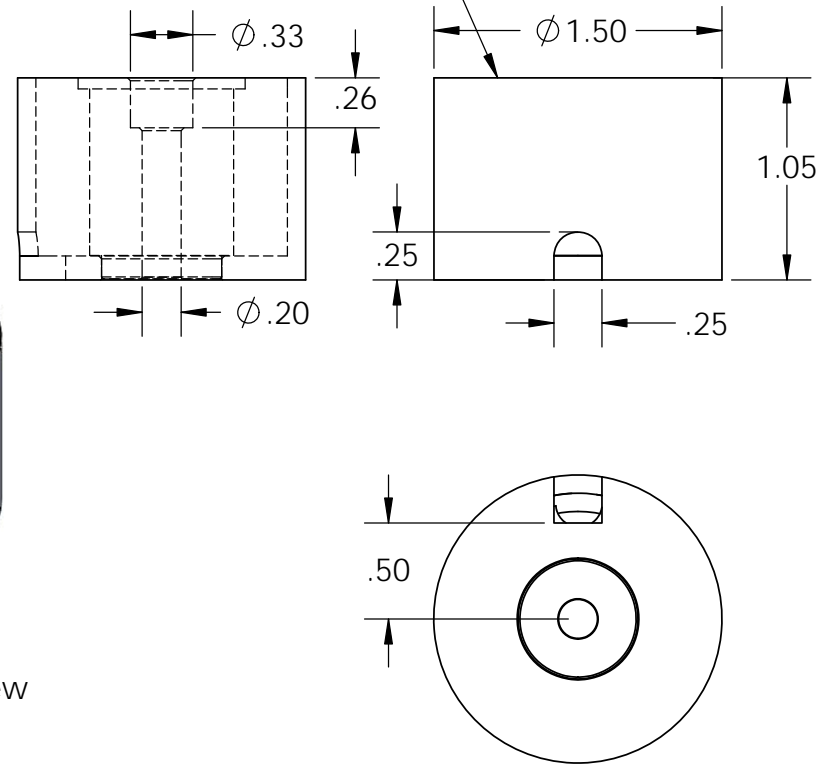
Electrical Specifications

Voltage: 12 VDC
Duty Cycle: Continuous
Resistance: 24 ohms \pm 10% (@ 20c)
Amps @ rated Volts: 0.50
Watts @ rated Volts: 6.0
Holding: 66 lbs (1/4" Thick 1215 CRS @ 20c)
Operating Temp: -40c to 60c (range)

Additional Components

Screw: 10-32 x 1 1/4" Long (Hex Socket Head Cap) w/Nylok
Spring: N/A
Spiral Pin: N/A
Potting: United Resin Corp. (EI-cast Black)
Finish: Housing - Zinc or Electroless Nickel Plating (0.0002-0.0003")

Center Post Recessed
(.003-.005)
Quick Release



18" Long Leads
22 Ga. Type 1015 UL

Isometric View

PROPRIETARY AND CONFIDENTIAL THE INFORMATION CONTAINED IN THIS DRAWING IS THE SOLE PROPERTY OF APW COMPANY. ANY REPRODUCTION IN PART OR AS A WHOLE WITHOUT THE WRITTEN PERMISSION OF APW COMPANY IS PROHIBITED.			UNLESS OTHERWISE SPECIFIED:		NAME	DATE	APW COMPANY		
			DIMENSIONS ARE IN INCHES TOLERANCES: FRACTIONAL \pm .015 ANGULAR: MACH \pm 2 BEND \pm 2 TWO PLACE DECIMAL \pm .005 THREE PLACE DECIMAL \pm .003	DRAWN	K.H.	07.13.11	TITLE: P/N: EM150-12-112		
			INTERPRET GEOMETRIC TOLERANCING PER: ANSI	CHECKED	J.K.	07.13.11			
			MATERIAL	ENG APPR.	J.K.	07.13.11			
			FINISH	MFG APPR.	J.K.	07.13.11		SIZE	DWG. NO.
	NEXT ASSY	USED ON	COMMENTS:				A	5423	
	APPLICATION		DO NOT SCALE DRAWING				SCALE: 1:1	WEIGHT:	SHEET 1 OF 1